



PRODUCT DATA APPROVAL SHEET

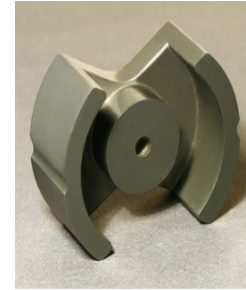
Core-PM5039SZ

Cosmo Ferrites Ltd. -INDIA

Appearance & Shape: To be free from any defect such as flow, burrs, unevenness etc, as per IEC standards.

Effective Parameters irrespective of material grade (per set)

Parameter	Value	Unit
Effective Length (L_e):	84	mm
Effective Area (A_e):	370	mm ²
Effective Area (A_{min}):	280	mm ²
Effective Volume (V_e):	31000	mm ³
Approximate weight(m):	140	g/set



PM5039SZ Un-gapped (OL)

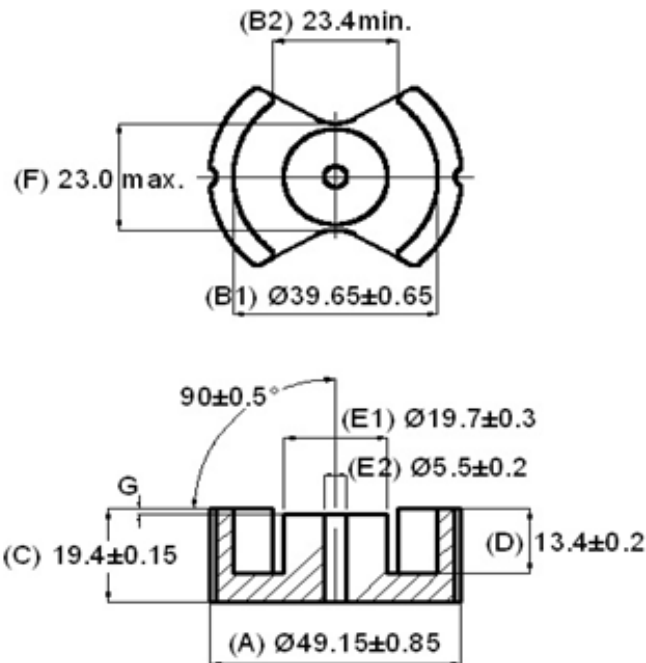
Test Conditions: 1kHz/1mT/CFR COIL, N=100/25°C

Material Grade	Initial Permeability (μ_{iac})	AL Value (nH)	μ_e Approx./Set	P_v (W/set) (25kHz, 200mT, 100°C)	P_v (W/set) (100kHz, 100mT, 100°C)	P_v (W/set) (100kHz, 200mT, 100°C)
CF139	2100±20	7200 +30%/-	≈1740	≤ 3.57	≤ 3.10	≤ 15.5

PM 5039 Gapped (AL)

Test Conditions: 1kHz/300mV/CFR COIL, N=100/25°C

Material Grade	AL(nH) Approx./Set	S, T		D	
		Gap Value in mm	μ_e Approx./Set	Gap Value in mm/Pc	μ_e Approx./Set
CF139	250 ±5%	≈ 1.8	≈ 58	≈ 0.9	≈ 58



Customer's Approval
Authorized Signat



Prodin Ferrite S.L.

CalleA, 27, 08620 Sant Vicenç dels Horts, Barcelona (Spain)

Tel.: +34 93 672 46 10

info@prodinferrite.com www.prodinferrite.com