

Appearance & Shape: To be free from any defect such as flow, burrs, unevenness etc, As per IEC standards.

Effective Parameters irrespective of material grade (per set)

- Effective Length (L_e): 25.9mm
- Effective Area (A_e): 43.0mm²
- Effective Area (A_{Min}): 35.0mm²
- Effective Volume (V_e): 1120mm³

Approximate weight (without Gap): 7.1g/Set



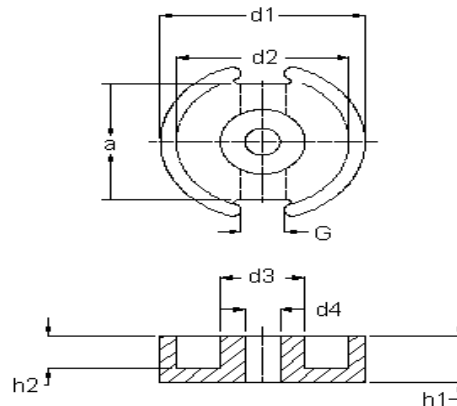
P1811 ungapped

Test Conditions: 1 KHz/1mT/N=10/25°C

Material	Initial Permeability (μ_{iac})	AL Value (nH)/Set	μ_e Approx./Set
CF139	2100 ±20%	3100+30/-20%	1494
CF195	5000 ±20%	5300+30/-20%	2544

Dimensions :

Dimension	Nominal (in mm)	Maximum (in mm)	Minimum (in mm)
Groove(G)	3.4	4.0	2.8
a	12.85	13.35	12.35
d1	18.0	18.4	17.6
d2	15.2	15.45	14.95
d3	7.45	7.60	7.30
d4	3.10	3.22	2.98
h1	5.25	5.35	5.15
h2	3.72	3.85	3.59



For Cosmo Ferrites Limited-INDIA

Checked By: A.K.

Approved By: B.S.

Authorized By: KSR

Date: 05-03-2013