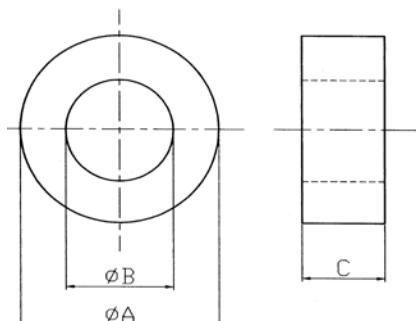


# H cores

H9. 53X4. 75X3. 2P



## CORE SETS

### CORE DIMENSIONS (mm)

Spray paint	Dimensions (mm)		
	$\phi A$	$\phi B$	C
Uncoat	$9.53 \pm 0.25$	$4.75 \pm 0.25$	$3.2 \pm 0.15$
Coat	$9.73 \pm 0.25$	$4.60 \pm 0.25$	$3.4 \pm 0.15$

### Effective core parameters

SYMBOL	PARAMETER	VALUE	UNIT
Ve	effective volume	171.46	mm <sup>3</sup>
le	effective length	23.32	mm
Ae	effective area	7.35	mm <sup>2</sup>
Wt	mass of core set	$\approx 0.87$	g

### Characteristic

Grade	AL (nH/N <sup>2</sup> )	Z ( $\Omega$ )
		f=100kHz U=0.25V N=10Ts, $\Phi 0.35$ mm
DN150H	$530 \pm 25\%$	16 min
DN85H	$300 \pm 25\%$	12 min
DN10H	$35 \pm 25\%$	10 min



## Prodin Ferrite S.L.

CalleA, 27, 08620 Sant Vicenç dels Horts, Barcelona (Spain)

Tel.: +34 93 672 46 10

[info@prodinferrite.com](mailto:info@prodinferrite.com) [www.prodinferrite.com](http://www.prodinferrite.com)