

Appearance & Shape: To be free from any defect such as flow, burrs, unevenness etc, As per IEC standards.

Effective Parameters irrespective of material grade (per set)

- Effective Length (L_e): 15.7mm
- Effective Area (A_e): 10.3mm²
- Effective Area (A_{Min}): 8.55mm²
- Effective Volume (V_e): 162mm³

Approximate weight (without Gap): 1.4 g/Set

EP7 Un-gapped (OL)

Test Conditions: 1kHz/1mT/CFR COIL,N=10/25°C

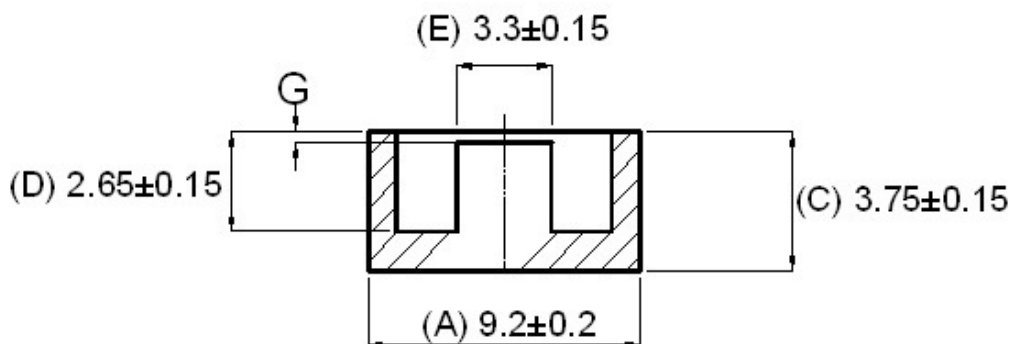
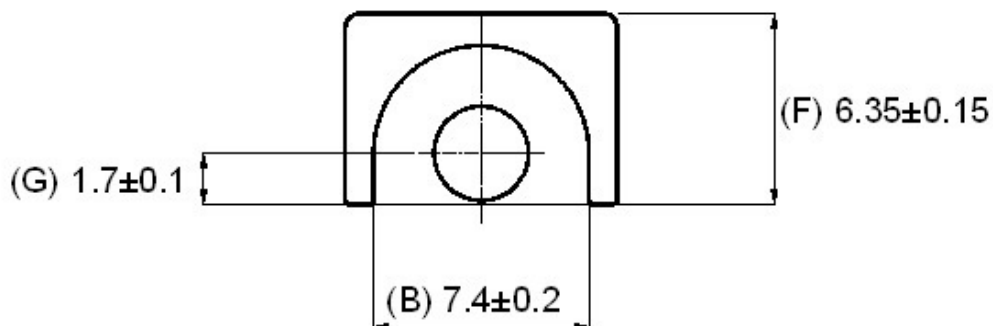
Material Grade	Initial Permeability (μ_{iac})	AL Value (nH)/Set	μ_e Approx./Set	P_v (W/set)
CF138	2100 ±20%	1050 +30%/-20%	≈ 1410	≤0.018(100mT,100kHz,100°C)
CF139	2100 ±20%	1050 +30%/-20%	≈ 1410	≤0.016(100mT,100kHz,100°C)

EP7 Gapped

Test Conditions: 1kHz/300mV/CFR COIL,N=10/25°C

Material Grade	AL Value in nH/Set	S, T)		D)	
		Gap Approx. (mm)/Pc	μ_e Approx./Set	Gap Approx. (mm)/Pc	μ_e Approx./Set
CF138 / CF139	25 ±5%	≈ 0.50	≈ 30	≈ 0.25	≈ 15

Material Grade	Gap Value in mm/pc	S, T)		D)	
		AL- Approx. (nH)/Set	μ_e Approx./Set	AL Approx. (nH)/Set	μ_e Approx./Set
CF138 / CF139	0.15 ±0.02	≈ 80	≈ 99	≈ 40	≈ 50



For Cosmo Ferrites Limited-INDIA

Checked By: A.K.

Approved By: B.S.

Authorized By: KSR

Date: 07-04-2014(ISSUE NO.1)

Customer's Approval

Authorized Signatory:

Name:

Date: