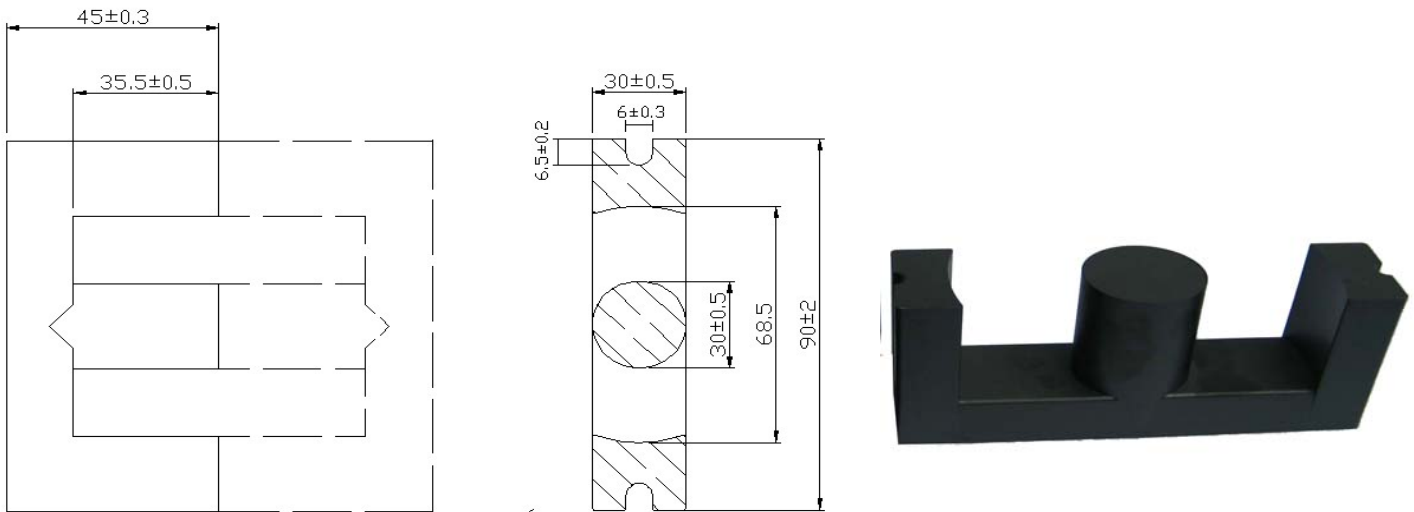
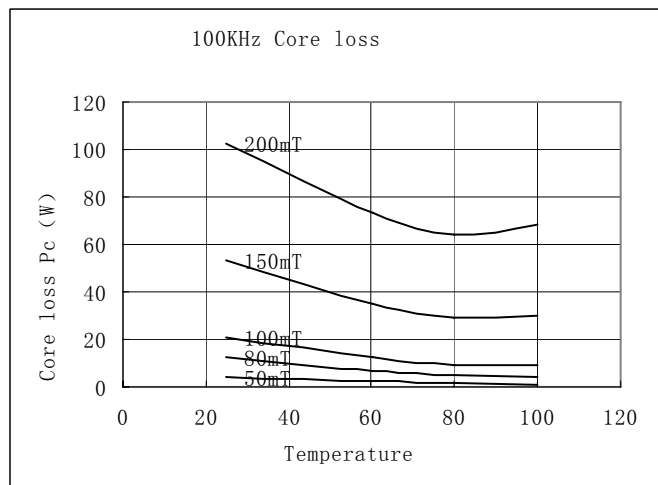
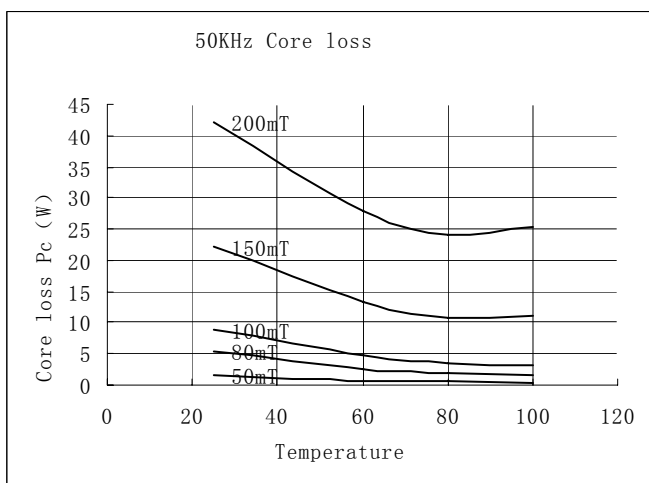


EC90

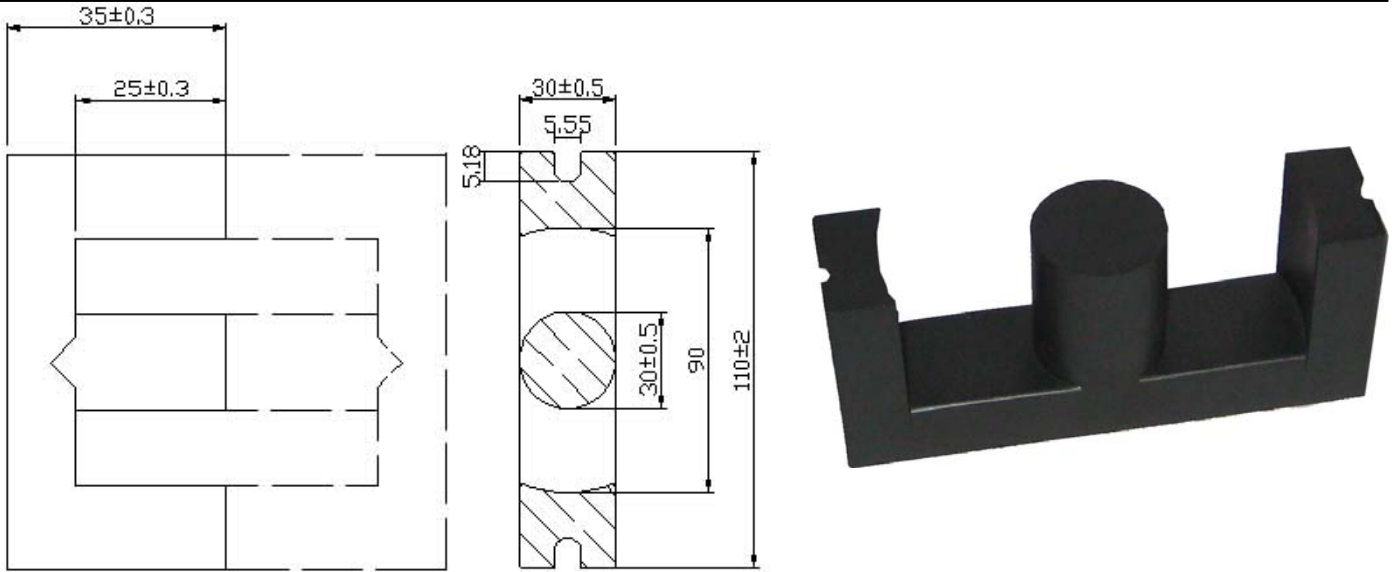


Parameter	Symbol	Value	Unit
Core constant	C1	0.319	mm ⁻¹
Effective path length	Le	225.5	mm
Effective area	Ae	706	mm ²
Effective volume	Ve	147265	mm ³
Inductance factor	AL	7876	nH/N ²
Weight of set	W	706	g

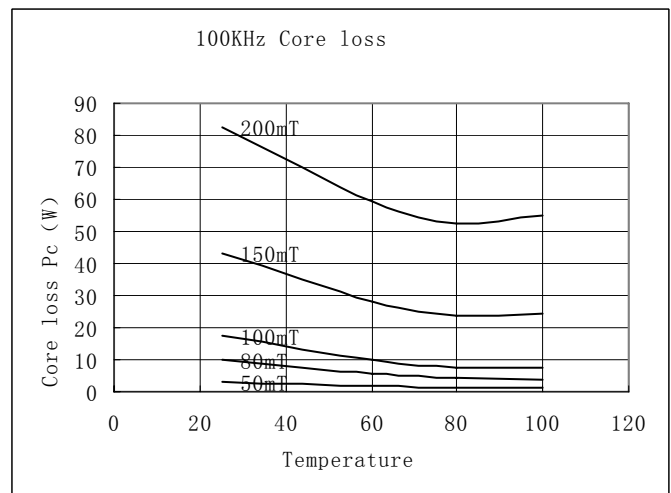
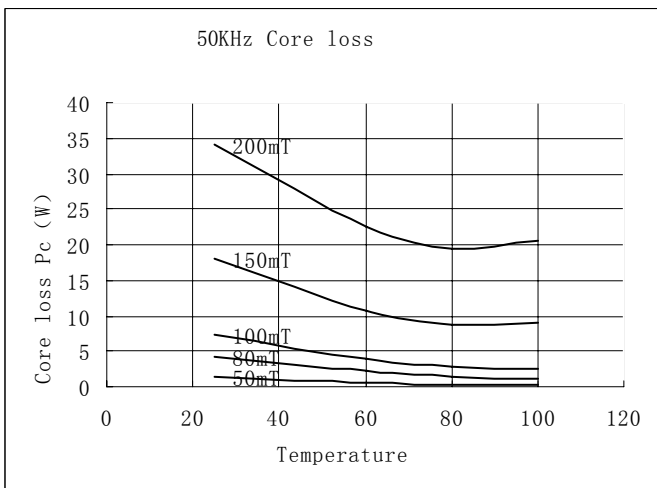


Circuit Type	Calculated Output Power				Unit W
	Switching Frequency				
	20KHz	50KHz	100KHz	250KHz	
Push-pull converter	5200	8500	11800	23100	
Flyback converter	1700	2800	3900	7700	
Forward converter	2600	4200	5900	11500	

EC110/35

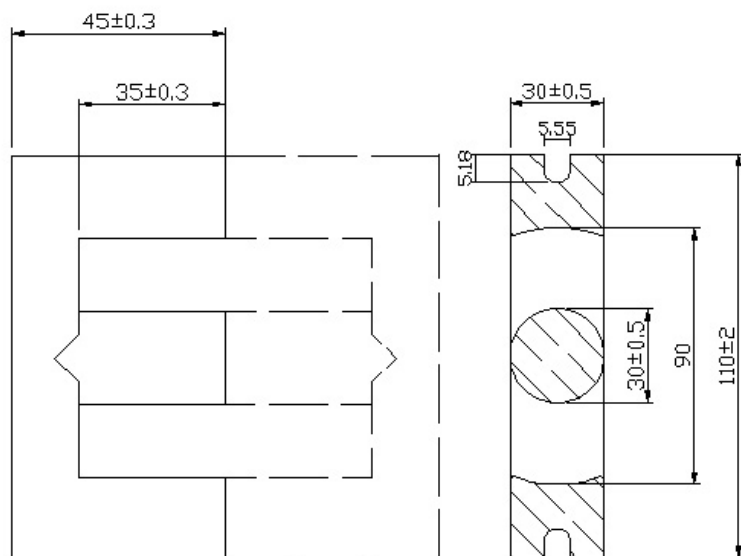


Parameter	Symbol	Value	Unit
Core constant	C1	0.29	mm ⁻¹
Effective path length	Le	205	mm
Effective area	Ae	706.5	mm ²
Effective volume	Ve	131325	mm ³
Inductance factor	AL	8664	nH/N ²
Weight of set	W	630	g

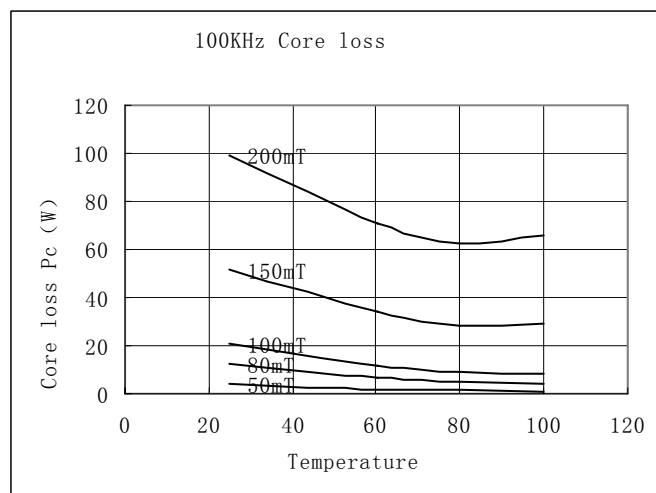
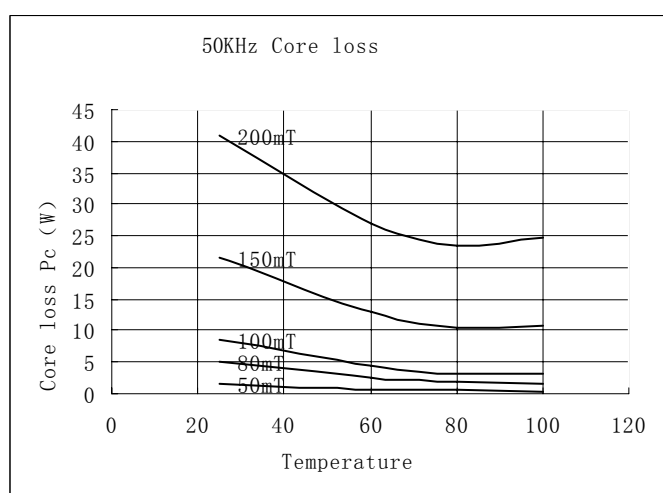


Circuit Type	Calculated Output Power				Unit W
	Switching Frequency				
	20KHz	50KHz	100KHz	250KHz	
Push-pull converter	6800	11100	15400	30000	
Flyback converter	2200	3700	5100	10000	
Forward converter	3400	5500	7700	15000	

EC110/45

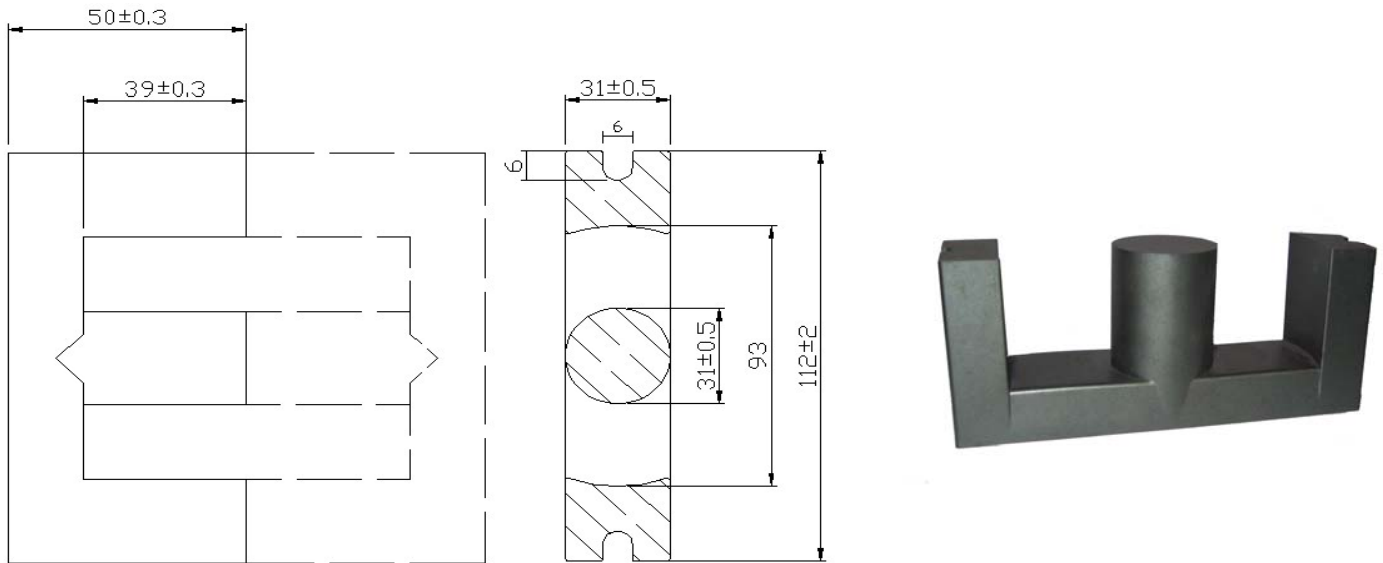


Parameter	Symbol	Value	Unit
Core constant	C1	0.345	mm ⁻¹
Effective path length	Le	245	mm
Effective area	Ae	706	mm ²
Effective volume	Ve	157455	mm ³
Inductance factor	AL	7500	nH/N ²
Weight of set	W	756	g

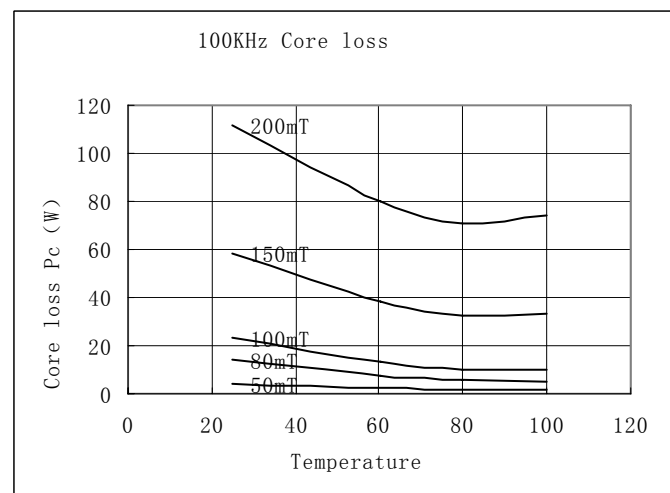
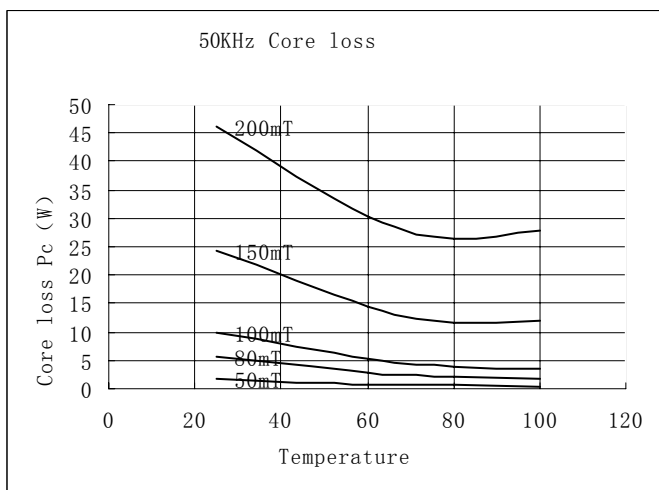


Circuit Type	Calculated Output Power				Unit W
	Switching Frequency				
	20KHz	50KHz	100KHz	250KHz	
Push-pull converter	9600	15600	21600	42000	
Flyback converter	3200	5200	7200	14000	
Forward converter	4800	7800	10800	21000	

EC112/50

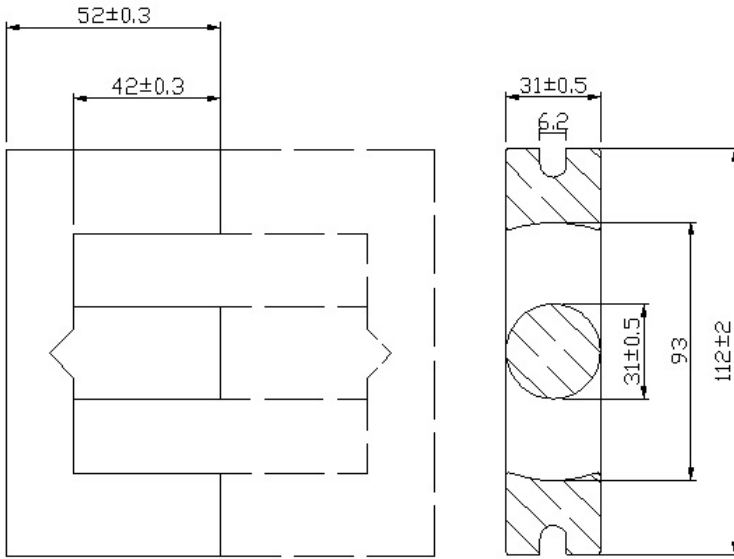


Parameter	Symbol	Value	Unit
Core constant	C1	0.366	mm ⁻¹
Effective path length	Le	276.5	mm
Effective area	Ae	754	mm ²
Effective volume	Ve	182284	mm ³
Inductance factor	AL	7064	nH/N ²
Weight of set	W	850	g

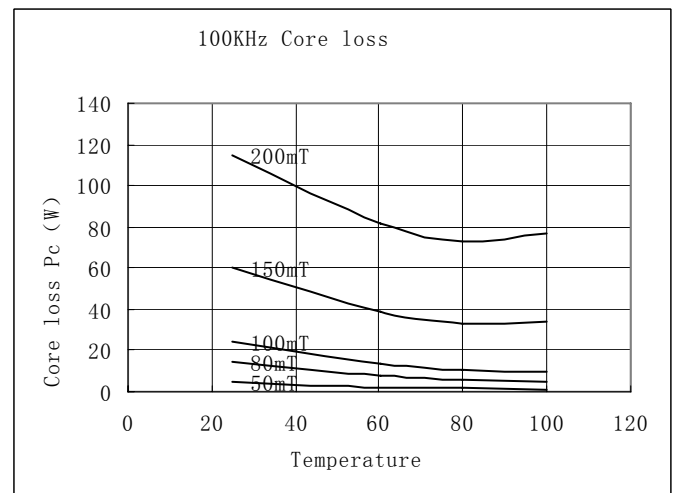
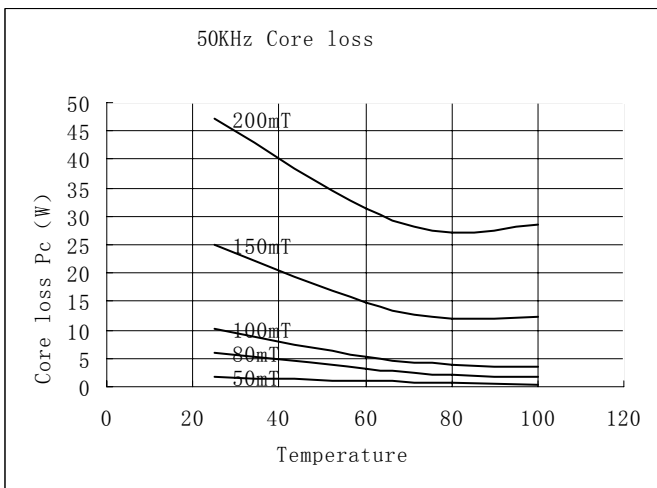


Circuit Type	Calculated Output Power				Unit W
	Switching Frequency				
	20KHz	50KHz	100KHz	250KHz	
Push-pull converter	12100	19600	27200	52900	
Flyback converter	4000	6500	9000	17600	
Forward converter	6000	9800	13600	26400	

EC112/52

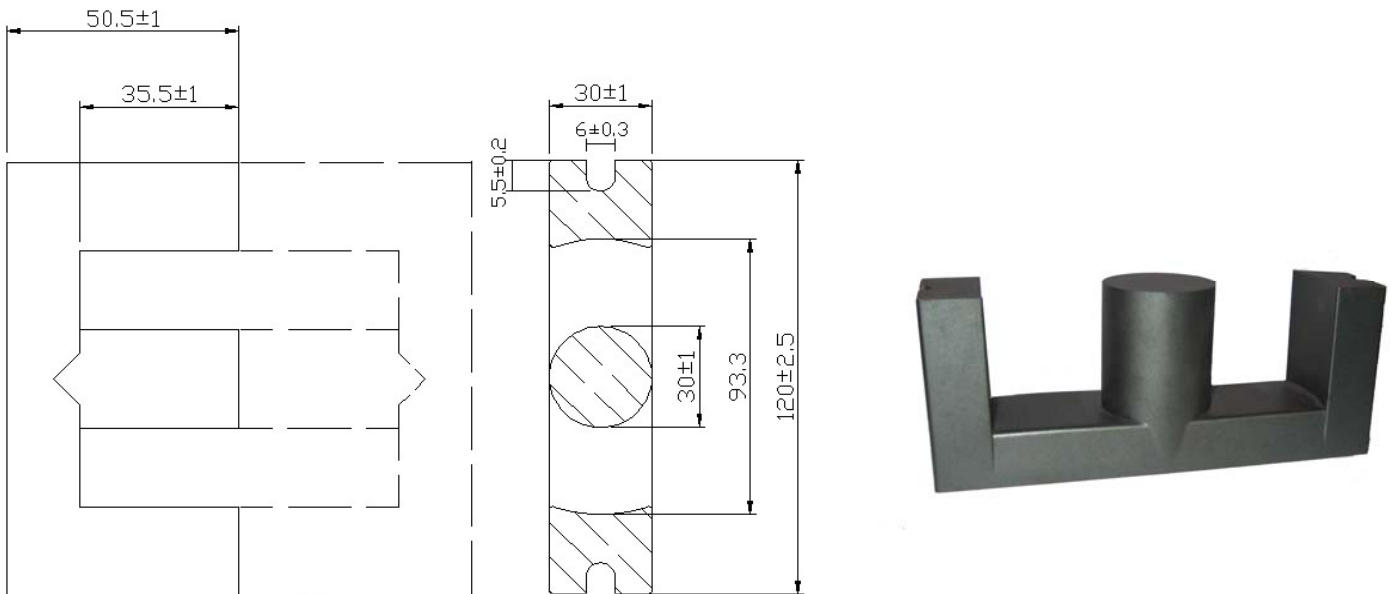


Parameter	Symbol	Value	Unit
Core constant	C1	0.363	mm ⁻¹
Effective path length	Le	274	mm
Effective area	Ae	754	mm ²
Effective volume	Ve	182284	mm ³
Inductance factor	AL	7000	nH/N ²
Weight of set	W	875	g

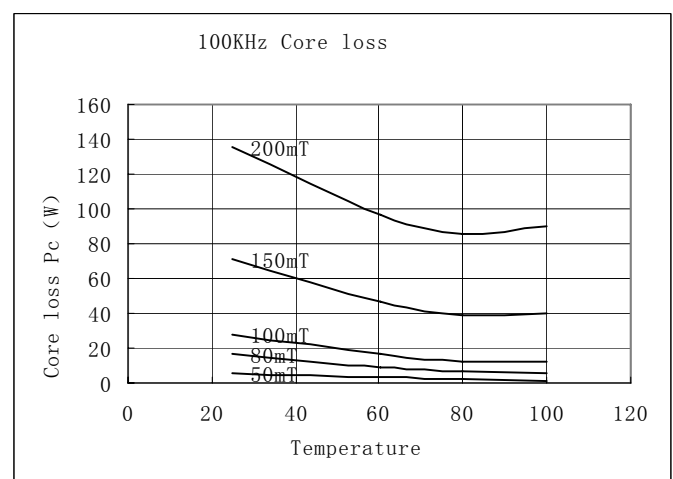
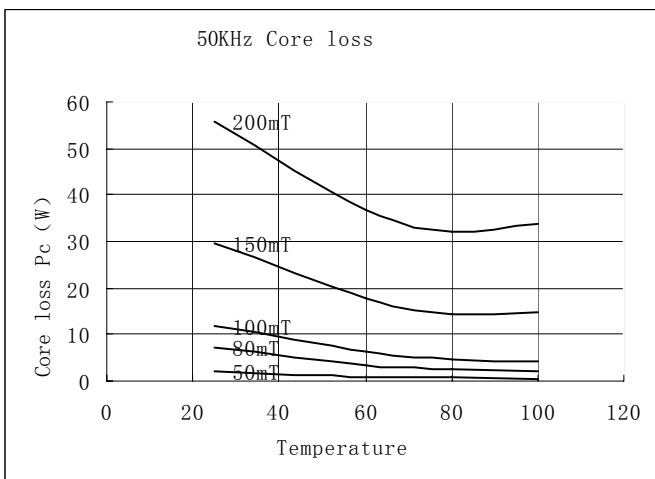


Circuit Type	Calculated Output Power				Unit W
	Switching Frequency				
	20KHz	50KHz	100KHz	250KHz	
Push-pull converter	12700	20600	28600	55600	
Flyback converter	4200	6800	9500	18500	
Forward converter	6300	10300.	14300	27800	

EC120



Parameter	Symbol	Value	Unit
Core constant	C1	0.354	mm ⁻¹
Effective path length	Le	250	mm
Effective area	Ae	706	mm ²
Effective volume	Ve	215032	mm ³
Inductance factor	AL	7250	nH/N ²
Weight of set	W	1032	g



Circuit Type	Calculated Output Power				Unit W
	Switching Frequency				
	20KHz	50KHz	100KHz	250KHz	
Push-pull converter	10200	16600	23000	44800	
Flyback converter	3400	5500	7600	14900	
Forward converter	5100	8300	11500	22400	