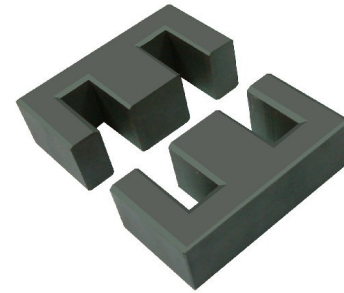


**Appearance & Shape:** To be free from any defect such as flow, burrs, unevenness etc, As per IEC standards.

**Effective Parameters irrespective of material grade (per set)**

- Effective Length ( $L_e$ ): 185.1mm
  - Effective Area ( $A_e$ ): 774.6mm<sup>2</sup>
  - Effective Area ( $A_{Min}$ ): -----mm<sup>2</sup>
  - Effective Volume ( $V_e$ ): 143378mm<sup>3</sup>
- Approximate weight (without Gap):680g/Set**



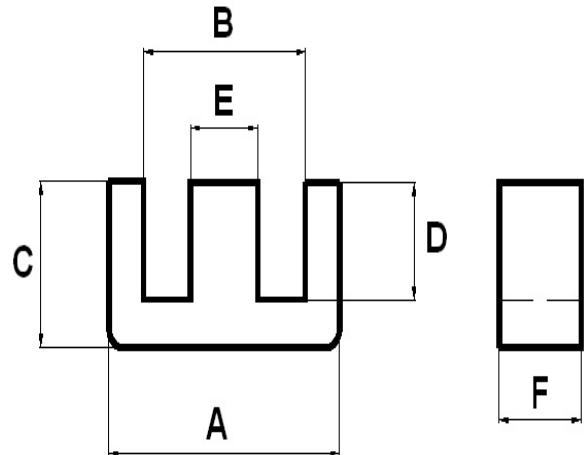
## EE8040 Un-gapped(OL)

Test Conditions: 1kHz/1mT/CFR COIL,N=20/25°C

Material Grade	Initial Permeability ( $\mu_{iac}$ )	AL Value (nH)/Set	$P_v$ (W/set)	
CF139	2100 $\pm$ 20%	8700 +30%/-20%	$\leq$ 10.7(100mT,100kHz, 100°C)	
CF297	2300 $\pm$ 20%	9300 +30%/-20%	$\leq$ 9.64(100mT,100kHz, 100°C)	

### Dimensions :

Dimension	Nominal (in mm)	Maximum (in mm)	Minimum (in mm)
A	80.0	80.9	79.1
B	60.3	61.2	59.4
C	38.1	38.43	37.77
D	28.53	28.86	28.2
E	19.8	20.1	19.5
F	39.6	40.0	39.2



For Cosmo Ferrites Limited-INDIA

Checked By: A.K.  
 Approved By: B.S.  
 Authorized By: KSR  
 Date: 06-02-2019(ISSUE NO.1)

Customer's Approval

Authorized Signatory:  
 Name:  
 Date: