

Appearance & Shape: To be free from any defect such as flow, burrs, unevenness etc, As per IEC standards.

Effective Parameters irrespective of material grade (per set)

- Effective Length (L_e): 147.0mm
 - Effective Area (A_e): 532.0mm²
 - Effective Area (A_{Min}): 531.0mm²
 - Effective Volume (V_e): 78200mm³
- Approximate weight (without Gap): 385g/Set**



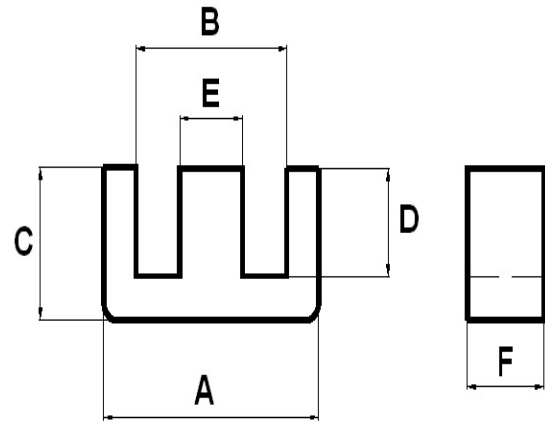
EE6527 Un-gapped

Test Conditions: 1kHz/1mT/CFR COIL,N=100/25°C

| Material Grade | Initial Permeability (μ_{iac}) | AL Value (nH) | P_v (W/set) |
|----------------|--------------------------------------|----------------|---------------------------|
| CF139 | 2100 \pm 20% | 8100 +30%/-20% | <7.82(100mT,100kHz,100°C) |
| CF292 | 1800 \pm 20% | 7300 +30%/-20% | <9.38(100mT,100kHz,100°C) |
| CF297 | 2300 \pm 20% | 8300 +30%/-20% | <7.03(100mT,100kHz,100°C) |

Dimensions :

| Dimension | Nominal (in mm) | Maximum (in mm) | Minimum (in mm) |
|-----------|-----------------|-----------------|-----------------|
| A | 66.5 | 66.5 | 63.8 |
| B | 44.2 | 46.0 | 44.2 |
| C | 32.5 | 32.8 | 32.2 |
| D | 22.2 | 22.9 | 22.2 |
| E | 20.0 | 20.0 | 19.3 |
| F | 27.4 | 27.4 | 26.6 |



For Cosmo Ferrites Limited-INDIA

Checked By: A.K.
 Approved By: B.S.
 Authorized By: KSR
 Date: 3-10-2018(ISSUE NO.1)

Customer's Approval

Authorized Signatory:
 Name:
 Date: