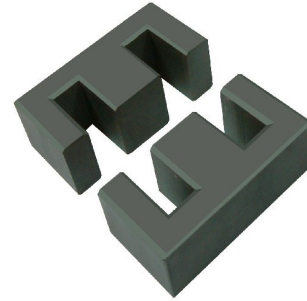


**Appearance & Shape:** To be free from any defect such as flow, burrs, unevenness etc, As per IEC standards.

**Effective Parameters irrespective of material grade (per set)**

- Effective Length ( $L_e$ ): 274.1mm
  - Effective Area ( $A_e$ ): 739.6mm<sup>2</sup>
  - Effective Area ( $A_{Min}$ ): 711.5mm<sup>2</sup>
  - Effective Volume ( $V_e$ ): 202724mm<sup>3</sup>
- Approximate weight (without Gap): 1000g/Set**



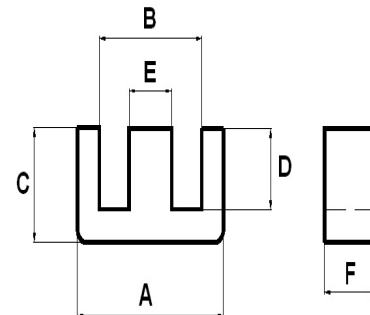
## EE10028 Un-gapped (OL)

**Test Conditions: 1kHz/1mT/CFR COIL,N=20/25°C**

Material Grade	Initial Permeability ( $\mu_{iac}$ )	AL Value (nH)/Set	$P_v$ (W/set)	
CF139	2100 $\pm$ 20%	6200 +30%/-20%	$\leq$ 20.2(100mT,100kHz, 100°C)	
CF297	2300 $\pm$ 20%	6600 +30%/-20%	$\leq$ 18.2(100mT,100kHz, 100°C)	
CF295	3000 $\pm$ 20%	8200 +30%/-20%	$\leq$ 20.2(100mT,100kHz, 100°C)	

## Dimensions :

Dimension	Nominal (in mm)	Maximum (in mm)	Minimum (in mm)
A	100.3	102.3	98.2
B	73.2	74.6	71.8
C	59.5	60.0	59.0
D	46.8	47.6	46.0
E	27.5	28.0	27.0
F	27.6	28.1	27.1



For Cosmo Ferrites Limited-INDIA

Checked By: A.K.  
 Approved By: B.S.  
 Authorized By: KSR  
 Date: 10-01-2013(ISSUE NO.1)

Customer's Approval  
 Authorized Signatory:  
 Name:  
 Date: