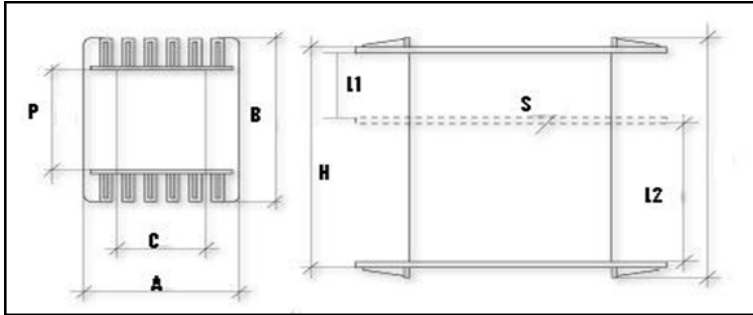


## CARRETES TRIFÁSICOS

### MODELOS: UI-60 Y UI-66



### UI-60 (CIRCUITO 100X100)

Tolerancia:  $\pm 0.2$

MOD	REF	C	P	A	B	H	K	L1	L2	S	RANURAS
20X20X60 PH SS	220001	20,6	21,0	38,0	42,5	60,0					
20X20X60 PH DS	220003	20,6	21,0	38,0	42,5	60,0		27,0	27,0	1,5	
20X30X60 PH SS	230038	20,6	30,8	38,0	56,8	59,8					4 + 4
20X30X60 PH DS	230039	20,6	30,8	38,0	56,8	59,8		27,0	27,0	1,5	4 + 4

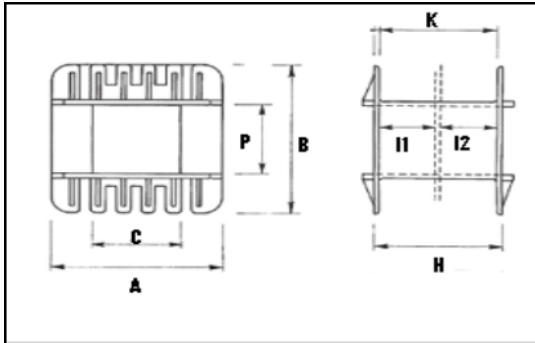
**UI-66 (CIRCUITO 112X132)**

**Tolerancia: ± 0.2**

MOD	REF	C	P	A	B	H	K	L1	L2	S
22x30x66 PH SS	220010	23,6	30,0	54,5	68,0	66,0				1,5
22x40x66 PH SS	220011	23,6	40,0	54,5	74,0	66,0				1,5
22x45x66 PH SS	220012	23,6	45,0	54,5	80,0	66,0				1,5
22x50x66 PH SS		23,6	50,0	52,0	88,0	66,0				1,6

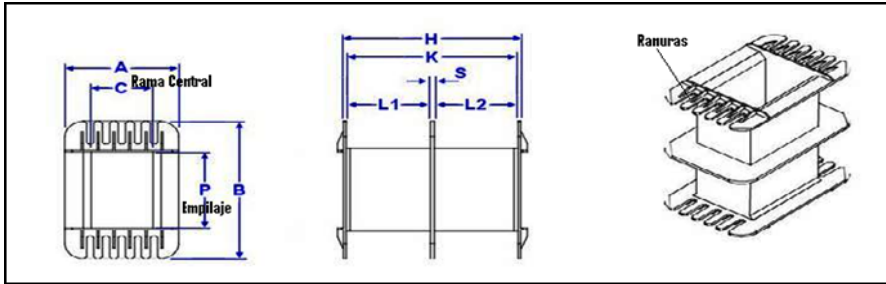
**MODELO: UI-68 (CIRCUITO 110X120)**

**Tolerancia: ± 0.2**



MOD	REF	C	P	A	B	H	K	L1	L2	S	RANURAS
22X40X68 PH SS		23,8	40,0	42,0	66,2	66,2	62,5				

**MODELOS: UI-75 Y UI-90**



**UI-75 (CIRCUITO 125X125)**

**Tolerancia:  $\pm 0.2$**

MOD	REF	C	P	A	B	H	K	L1	L2	S	RANURAS
25X25X75 PH SS	230033	25.5	25.8	48.9	57.4	73.8					4+0 / 0+0
25X30X75 PH SS	230031	25.5	30.8	48.9							4+4 / 4+0
25X40X75 PH SS	230034	25.5	40.8	48.9	73.0	78.3					4+4 / 4+0



### Prodin Ferrite S.L.

Polígono Industrial "Molí dels Frares" Calle C/A - Nave 2  
08620 Sant Vicenç dels Horts - Barcelona - España  
T: +34 936 724 610  
info@prodinferrite.com - www.prodinferrite.com

#### UI-90 (CIRCUITO 150X150)

Tolerancia:  $\pm 0.2$

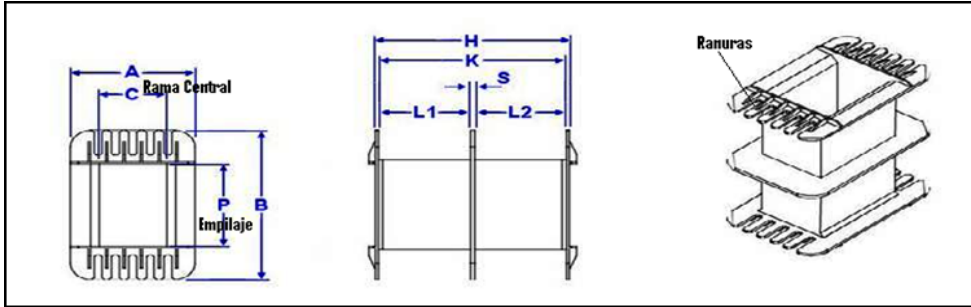
MOD	REF	C	P	A	B	H	K	L1	L2	S	RANURAS
30X30X90 PH SS	230001	31.0	30.8	59.0	69.0	88.5	85.5				
30x30x90 PH DS	230002	31.0	30.8	59.0	69.0	88.5	85.5	42.0	42.0	1.5	
30X35X90 PH SS	230003	31.0	35.8	59.0	74.0	88.5	85.5				
30X35X90 PH DS	230004	31.0	35.8	59.0	74.0	88.5	85.5	42.0	42.0	1.5	
30X40X90 PH SS	230005	31.0	40.8	59.0	79.0	88.5	85.5				5+5 / 5+0
30x40x90 PH DS	230006	31.0	40.8	59.0	79.0	88.5	85.5	42.0	42.0	1.5	5+5 / 5+0
30X45X90 PH SS	230007	31.0	45.8	59.0	84.0	88.5	85.5				
30X45X90 PH DS	230008	31.0	45.8	59.0	84.0	88.5	85.5	42.0	42.0	1.5	
30X50X90 PH SS	230009	31.0	50.8	59.0	89.0	88.5	85.5				
30X50X90 PH DS	230010	31.0	50.8	59.0	89.0	88.5	85.5	42.0	42.0	1.5	
30X55X90 PH SS	230011	31.0	55.8	59.0	94.0	88.5	85.5				
30X55X90 PH DS	230012	31.0	55.8	59.0	94.0	88.5	85.5	42.0	42.0	1.5	
30X60X90 PH SS	230013	31.0	60.8	59.0	99.0	88.5	85.5				5+5 / 5+0
30X60X90 PH DS	230014	31.0	60.8	59.0	99.0	88.5	85.5	42.0	42.0	1.5	5+5 / 5+0
30X75X90 PH SS	230015	31.0	75.8	59.0	104.0	88.5	85.5				
30X75X90 PH DS	230016	31.0	75.8	59.0	104.0	88.5	85.5	42.0	42.0	1.5	

#### UI-90 CORTO (CIRCUITO 150X125)

MOD	REF	C	P	A	B	H	K	L1	L2	S	RANURAS
30X30X75 PH SS	230001	31.0	30.8	59.0							
30x65x75 PH SS	230002	31.0	65,8	59.0							

**UI-120 (CIRCUITO 200X200)**

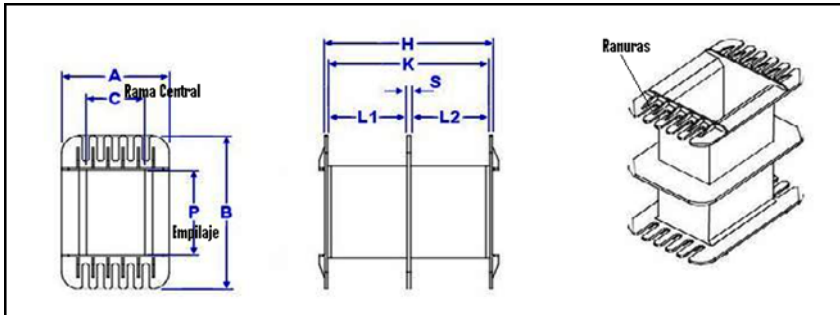
**Tolerancia: ± 0.3**



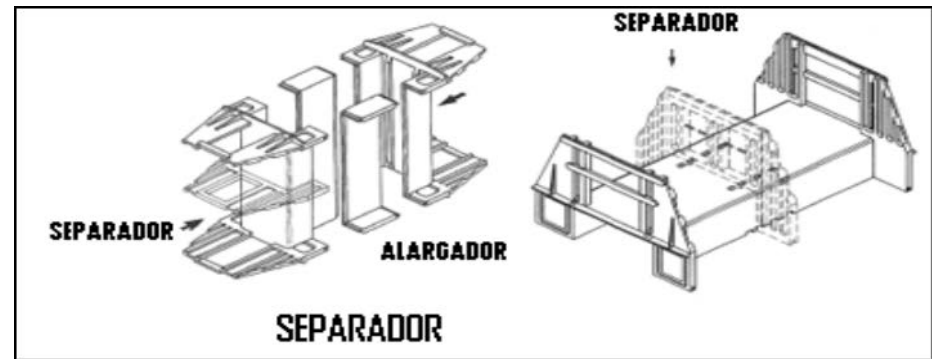
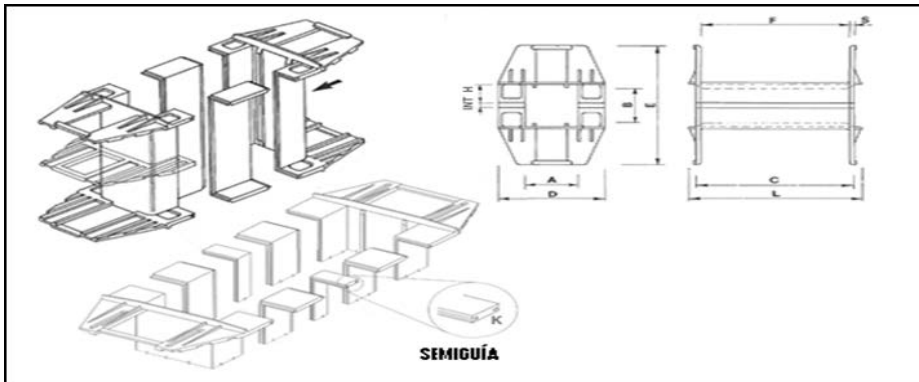
MOD	REF	C	P	A	B	H	K	L1	L2	S	RANURAS
40x40x120 PH SS	230020	41,0	40,8	78,0	85,0	119,0	115,4				4 + 4
40x40x120 PH DS	230021	41,0	40,8	78,0	85,0	119,0	115,4	55,5	58,0	1,8	4 + 4
40X50X120 PH SS	230022	41,0	50,8	78,0	95,0	119,0	115,4				
40X50X120 PH DS	230023	41,0	50,8	78,0	95,0	119,0	115,4	55,5	58,0	1,8	
40X60X120 PH SS	230024	41,0	60,8	78,0	105,0	119,0	115,4				4 + 4
40X60X120 PH DS	230025	41,0	60,8	78,0	105,0	119,0	115,4	55,5	58,0	1,8	4 + 4
40X75X120 PH SS	230026		75,8				115,4				
40X75X120 PH DS	230027		75,8				115,4	55,5	58,0	1,8	
40X80X120 PH SS	230028	41,0	80,8	78,0	125,0	119,0	115,4				



**MODELOS: UI-150 Y UI-180**



**SEMICUERPOS**





**Prodin Ferrite S.L.**

Polígono Industrial "Molí dels Frares" Calle C/A - Nave 2  
 08620 Sant Vicenç dels Horts - Barcelona - España  
 T: +34 936 724 610  
 info@prodinferrite.com - www.prodinferrite.com

**UI-150 (CIRCUITO 250X250)**

**Tolerancia: ± 0.3**

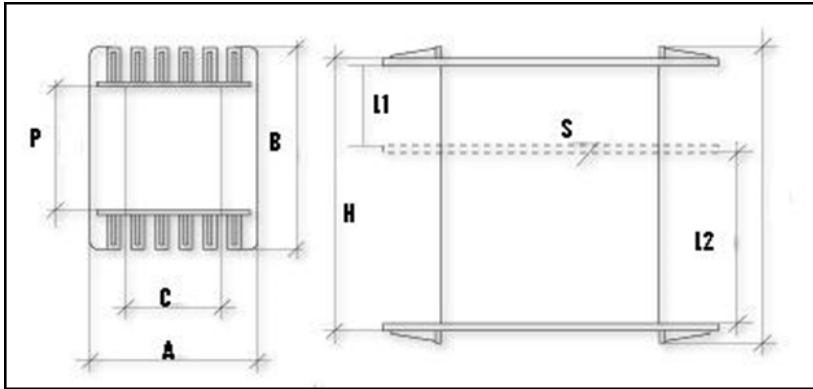
MOD	REF	C	P	A	B	H	K	L1	L2	S	RANURAS
50x50x150 PH SS	230040	51.0	50.8	98.0	108.0	148.8	143.6				4 + 4
50X50X150 PH DS	230041	51.0	50.8	98.0	108.0	148.8	143.6	65.3	76.0	2.0	4 + 4
50X60X150 PH SS	230042	51.0	60.8	98.0	118.0	148.8	143.6				
50X60X150 PH DS	230043	51.0	60.8	98.0	118.0	148.8	143.6	65.3	76.0	2.0	
50X70X150 PH SS	230044	51.0	70.8	98.0	128.0	148.8	143.6				
50X70X150 PH DS	230045	51.0	70.8	98.0	128.0	148.8	143.6	65.3	76.0	2.0	
50X80X150 PH SS	230046	51.0	80.8	98.0	138.0	148.8	143.6				
50X80X150 PH DS	230047	51.0	80.8	98.0	138.0	148.8	143.6	65.3	76.0	2.0	
50X90X150 PH SS	230048	51.0	90.8	98.0	148.0	148.8	143.6				4 + 4
50X90X150 PH DS	230049	51.0	90.8	98.0	148.0	148.8	143.6	65.3	76.0	2.0	4 + 4
50X100X150 PH SS	230050	51.0	100.8	98.0	158.0	148.8	143.6				
50X100X150 PH DS	230051	51.0	100.8	98.0	158.0	148.8	143.6	65.3	76.0	2.0	

**SEMICUERPOS UI-150 (CIRCUITO 150X150)**

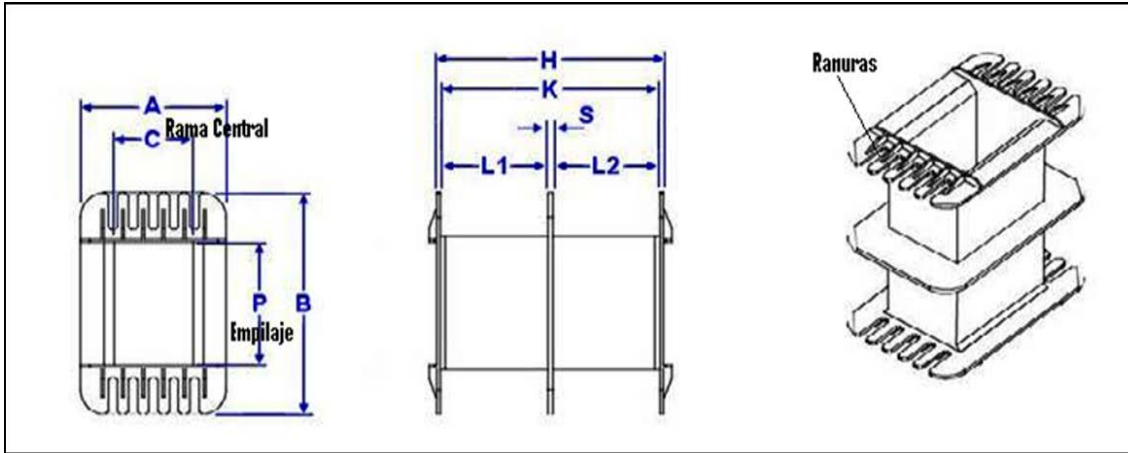
MOD	REF	REF.	A	B	C	D	E	F	H	S	L	
UI 150	SEMI-CTE	220104	51,5		148	98		139	37	4	162	
UI 150/76	ALARGADOR 50X80		51,5	76	148	98	186	139		4	162	
UI 150/96	ALARGADOR 50X100		51,5	96	148	98	206	139		4	162	
UI 150/106	ALARGADOR 50X110		51,5	106	148	98	216	139		4	162	
UI 150/116	ALARGADOR 50X120		51,5	116	148	98	226	139		4	162	
UI 150/126	ALARGADOR 50X130	220119	51,5	126	148	98	236	139		4	162	
UI 150/....	SEMIGUÍA	220241	Semig para aumentar empilaje K= 20 mm								4	



**UI-150 CORTO (CIRCUITO 250X225)**



MOD	REF	C	P	A	B	H	K	L1	L2	S	RANURAS
50x50x125 PH SS	220055	51	50	99	109	124					



**UI-180 (CIRCUITO 300X300)**

**Tolerancia: ± 0.3**

MOD	REF	C	P	A	B	H	K	L1	L2	S	RANURAS
60x60x180 PH SS	230060	61.0	60.8	118.0	135.0	179.0	174.0				
60X60X180 PH DS	230061	61.0	60.8	118.0	135.0	179.0	174.0	85.0	88.0	2.5	
60X70X180 PH SS	230062	61.0	70.8	118.0	145.0	179.0	174.0				
60X70X180 PH DS	230063	61.0	70.8	118.0	145.0	179.0	174.0	85.0	88.0	2.5	
60X80X180 PH SS	230064	61.0	80.8	118.0	155.0	179.0	174.0				
60X80X180 PH DS	230065	61.0	80.8	118.0	155.0	179.0	174.0	85.0	88.0	2.5	
60X90X180 PH SS	230066	61.0	90.8	118.0	165.0	179.0	174.0				
60X90X180 PH DS	230067	61.0	90.8	118.0	165.0	179.0	174.0	85.0	88.0	2.5	
60X100X180 PH SS	230068	61.0	100.8	118.0	175.0	179.0	174.0				
60X110X180 PH SS	230069	61.0	110.8	118.0	185.0	179.0	174.0				



**Prodin Ferrite S.L.**

Polígono Industrial "Molí dels Frares" Calle C/A - Nave 2  
 08620 Sant Vicenç dels Horts - Barcelona - España  
 T: +34 936 724 610  
 info@prodinferrite.com - www.prodinferrite.com

**SEMICUERPOS UI-180 (CIRCUITO 300X300)**

MOD	REF	REF.	A	B	C	D	E	F	H	S	L
UI 180	SEMI-CTE	220103	61,5		178,5	118		170,5	40	4	194
UI 180/80	ALARGADOR 60X80	220120	61,5	80	178,5	118	208	170,5		4	194
UI 180/90	ALARGADOR 60X90	220121	61,5	90	178,5	118	218	170,5		4	194
UI 180/100	ALARGADOR 60X100	220122	61,5	100	178,5	118	228	170,5		4	194
UI 180/110	ALARGADOR 60X110	220123	61,5	110	178,5	118	238	170,5		4	194
UI 180/120	ALARGADOR 60X120	220124	61,5	120	178,5	118	248	170,5		4	194
UI 180/130	ALARGADOR 60X130	220125	61,5	130	178,5	118	258	170,5		4	194
UI 180/140	ALARGADOR 60X140	220126	61,5	140	178,5	118	268	170,5		4	194
UI 180/....	SEMIGUÍA	Semig para aumentar empilaje K=									4
UI 180	SEPARADOR										5,8

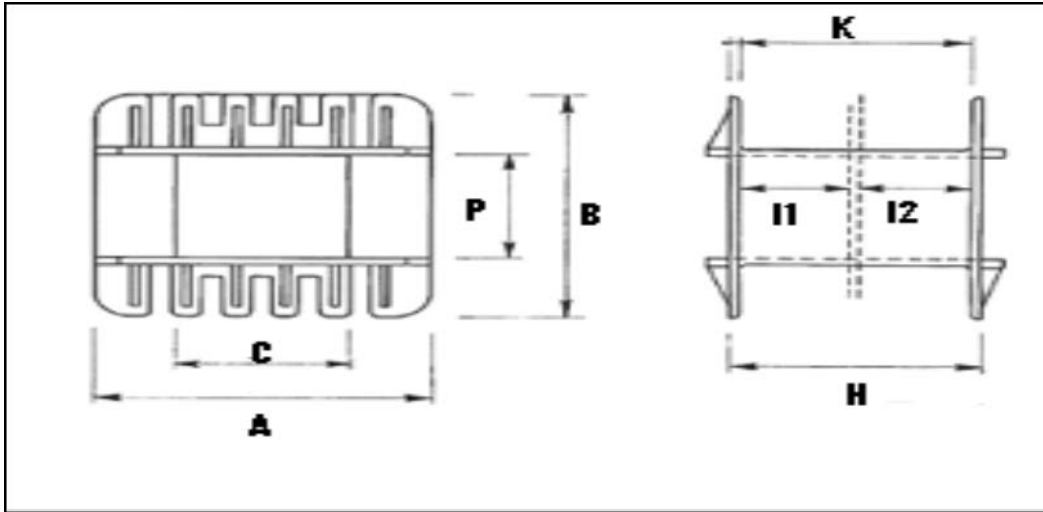
**UI-180 CORTO (CIRCUITO 270X300)**

**Tolerancia: ± 0.3**

MOD	REF	C	P	A	B	H	K	L1	L2	S	RANURAS
60X60X150		61,5	60	118	126	148	142,5	91	51		
60X70X150		61,5	70	118	136	148	142,5	91	51		
60X80X150		61,5	80	118	146	148	142,5	91	51		
60X105X150		61,5	105	118	171	148	142,5	91	51		

**UI-210 (CIRCUITO 350X350)**

**Tolerancia: ± 0.3**



MOD	REF	C	P	A	B	H	K	L1	L2	S	RANURAS
70X70X210	220090	70.0	70.0	139.0	162.0	210.0				3.0	
70X80X210	220092	70.0	80.0	139.0	172.0	210.0				3.0	
70X90X210	220094	70.0	90.0	139.0	193.0	210.0				3.0	
70X100X210	220096	70.0	100.0	139.0	193.0	210.0				3.0	





**Prodin Ferrite S.L.**

Polígono Industrial "Molí dels Frares" Calle C/A - Nave 2  
 08620 Sant Vicenç dels Horts - Barcelona - España  
 T: +34 936 724 610  
 info@prodinferrite.com - www.prodinferrite.com

**SEMICUERPOS UI-240 (CIRCUITO 400X400)**

MOD	REF	REF.	A	B	C	D	E	F	H	S	L	
UI 240	SEMI-CTE	220108	81,7		239	159		229	40,1	4	259	
UI 240/82	ALARGADOR 80X82	220180	81,7	82	239	159	240	229		4	259	
UI 240/90	ALARGADOR 80X90	220181	81,7	90	239	159	248	229		4	259	
UI 240/100	ALARGADOR 80X100	220182	81,7	100	239	159	258	229		4	259	
UI 240/110	ALARGADOR 80X110	220183	81,7	110	239	159	268	229		4	259	
UI 240/120	ALARGADOR 80X120	220184	81,7	120	239	159	278	229		4	259	
UI 240/130	ALARGADOR 80X130	220185	81,7	130	239	159	288	229		4	259	
UI 240/140	ALARGADOR 80X140	220186	81,7	140	239	159	298	229		4	259	
UI 240/150	ALARGADOR 80X150	220187	81,7	150	239	159	308	229		4	259	
UI 240/....	SEMIGUIA	220244	Semig para aumentar empilaje K= 20mm								4	
UI 240	SEPARADOR										5,8	

**UI-300 (CIRCUITO 500X500)**

MOD	REF	REF.	A	B	C	D	E	F	H	S	L	
UI 300	SEMI-CTE	220109	102			199		291	45,3	4	318	
UI 300/100	ALARGADOR 100X100		102	100	298	199	268	291		4	318	
UI 300/110	ALARGADOR 100X110		102	110	298	199	278	291		4	318	
UI 300/120	ALARGADOR 100X120		102	120	298	199	288	291		4	318	
UI 300/130	ALARGADOR 100X130		102	130	298	199	298	291		4	318	
UI 300/140	ALARGADOR 100X140		102	140	298	199	308	291		4	318	
UI 300/150	ALARGADOR 100X150		102	150	298	199	318	291		4	318	
UI 300/160	ALARGADOR 100X160		102	160	298	199	328	291		4	318	
UI 300/....	SEMIGUIA		Semig para aumentar empilaje K= 20mm								4	
UI 300	SEPARADOR										5,8	