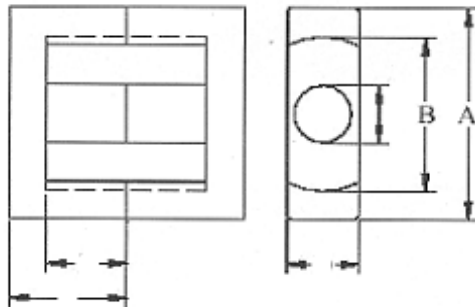


FERRITAS EC

TYPE	MENSIONS(mm)							AL (nH) +30% -20%	
	A	B	C	D	E	F	G	CF196	CF 139
EC120	120±2.5	93.3	50.5±1	35,5±1	30±1	30±1	5.85		
EC112/52	112±2.0	93	52±0.3	42±0.3	31±0.5	31±0.5	6.2		
EC110/45	110±2.0	90	45±0.3	35±0.3	30±0.5	30±0.5	5.55		
EC110/35	110±2.0	90	35±0.3	25±0.3	30±0.5	30±0.5	5.55		
EC9030	90±2.0	68,5	45±0.3	35,5±0.5	30±0.5	30±0.5	6±0.3		7876
EC7017	70.0 ±1.7	44.5 ±1.2	34.5 ±0.3	22.75 ±0.45	16.4 ±0.4	16.4 ±0.4	4.75 ±0.25	4200	4400
EC4215	42.0 ±0.8	29.2 min	22.4 ±0.3	15.4 ±0.3	15.5 ±0.3	15.5 ±0.4	--	4350	4500
EC4112	40.6 ±1.0	26.3 +1.5	19.35 +0.3	13.5 +0.8	11.9 -0.6	11.9 -0.6	3.0 ±0.5	2900	3000
EC4013L	40.0 ±0.5	29.6 min	24.0 ±0.2	17.0 ±0.25	13.25 ±0.25	13.4 ±0.20	--	3100	3300
EC4013	40.0 ±0.5	29.6 min	22.32 ±0.2	15.75 ±0.2	13.25 ±0.25	13.4 ±0.20	--	3100	3200
EC3510	34.5 ±0.8	22.75 ±0.55	17.3 ±0.15	11.9 +0.7	9.8 -0.6	9.8 -0.6	2.75 ±0.25	2200	2300



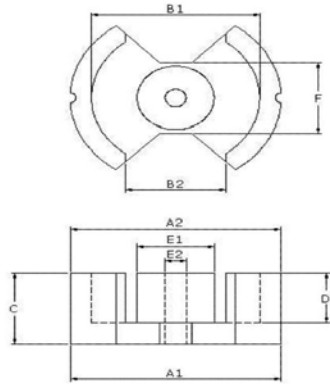


Prodin Ferrite S.L.

Polígono Industrial "Molí dels Frares" Calle C/A - Nave 2
 08620 Sant Vicenç dels Horts - Barcelona - España
 T: +34 936 724 610
 info@prodinferrite.com - www.prodinferrite.com

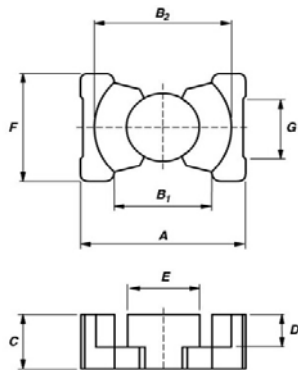
FERRITAS PM

TYPE	DIMENSIONS(mm)									AL (nH) +30% -20%
	A	B1	B2	C	D	E1	E2	F	CF 139	
PM114	114±2.25	88	52	46.5±0.5	31.+0.4	43.0±0.7	5.4	45	14797	
PM8770	85.5 ±1.5	68.15 ±1.05	41.0 ±1.5	34.8 ±0.25	24.4 ±0.4	31.2 ±0.5	8.65 ±0.25	35.0 ±1.0	12500	
PM74	74.0±1.5	57.0+1	34	29.5	20.3+0.5	29.0 -1	5.4±0,3	29	10000	
PM6249	61.0 ±1.0	49.5 ±0.75	29.0 min	24.4 ±0.15	16.9 ±0.2	25.1 ±0.4	5.5 ±0.1	28.5 max	9200	
PM50	50-1.7	39	23,4	19.5-0.2	13.2+0.4	20-0,6	5.4+0.1	20-0,6	9252	



FERRITAS PQ

TYPE	MENSIONS(mm)										AL (nH) +30% -20%	
	A	B	B1	B2	C	D	E	F	G	CF196	CF 139	
PQ3238	33.0 ±0.50	--	19.0 min	27.5 ±0.50	19.15 ±0.15	14.85 ±0.15	13.5 ±0.25	22.0 ±0.5	11.6 min	3600	3700	
PQ3230	--	33.0 ±0.5	19.0 min	27.5 ±0.5	15.15 ±0.15	10.65 ±0.15	13.5 ±0.25	22.0 ±0.5	11.6 min	4350	4550	
PQ3220	33.0 ±0.5	--	19.0 min	27.5 ±0.5	10.3 ±0.15	5.75 ±0.15	13.5 ±0.25	22.0 ±0.5	11.6 min	5450	5650	
PQ2625	27.3 ±0.46	--	15.5 min	22.5 ±0.46	12.35 ±0.15	8.05 ±0.15	12.0 ±0.2	19.0 ±0.45	10.5 min	3950	4100	
PQ2620	27.3 ±0.46	--	15.5 min	22.5 ±0.45	10.1 ±0.15	5.75 ±0.15	12.0 ±0.2	19.0 ±0.45	10.5 min	4300	4500	
PQ2613	27.3 ±0.45	--	15.5 min	22.5 ±0.45	10.1 ±0.15	5.5 ±0.15	12.0 ±0.20	19.0 ±0.45	3.81 ±0.50	5300	5450	
PQ2610	27.2 ±0.45	--	15.5 min	22.5 ±0.45	4.7 ±0.13	1.5 ±0.15	12.0 ±0.2	19.0 ±0.45	10.5 min	5350	5500	
PQ2609	27.25 ±0.45	--	15.5 min	22.5 ±0.40	4.7 ±0.13	1.47 ±0.15	11.99 ±0.45	19.0 ±0.45	3.81 ±0.25	6750	6900	
PQ2020	21.3 ±0.4	--	12.0 min	18.0 ±0.4	10.1 ±0.13	7.15 ±0.15	8.8 ±0.2	14.0 ±0.4	7.9 min	2300	2400	
PQ2016	21.3 ±0.40	--	12.0 min	17.6 min	8.1 ±0.13	5.15 ±0.15	8.8 ±0.2	14.0 ±0.40	7.9 min	2600	2700	
PQ2010	21.2 ±0.4	--	12.0 min	17.6 min	4.7 ±0.13	1.5 ±0.15	8.87 ±0.2	14.0 ±0.4	7.9 min	3500	3600	



FERRITAS POT

TYPE	DIMENSIONS(mm)								AL (nH) +30% -20%				
	A	d1	d2	d3	d4	G	h1	h2	CF140	CF196	CF130	CF 139	CF195
P3622	26.2 ±0.6	35.5 ±0.5	30.5 ±0.4	15.9 ±0.3	5.5 ±0.12	5.2 ±0.4	10.85 ±0.2	7.6 ±0.15	8800	7400	10000	7700	13700
P3422H	24.2 ±0.6	34.0 ±0.5	30.0 ±0.5	15.7 -0.8	4.65 ±0.15	5.2 ±0.4	10.8 -0.5	7.8 +0.3	8300	7000	9450	7300	13000
P3019A	30.0 ±0.50	--	25.4 ±0.40	13.32 ±0.20	5.5 ±0.15	4.8 ±0.60	9.95 ±0.25	7.2 ±0.20	6500	5600	7300	5800	9800
P3019	20.6 ±0.50	30.0 ±0.5	25.4 ±0.4	13.32 ±0.2	5.55 ±0.15	4.8 ±0.6	9.4 ±0.12	6.63 ±0.13	6600	5600	7450	5800	10100
P2616	18.05 ±0.4	25.5 ±0.5	21.6 ±0.45	11.3 ±0.2	5.55 ±0.15	3.8 ±0.6	8.05 ±0.12	5.13 ±0.13	5100	4400	5700	4500	7500
P2213	15.3 ±0.5	21.6 ±0.4	18.2 ±0.3	9.25 ±0.15	4.55 ±0.15	3.8 ±0.6	6.7 ±0.1	4.73 ±0.13	3800	3300	4250	3400	5500
P1811	12.85 ±0.5	18.0 ±0.5	15.2 ±0.25	7.45 ±0.15	3.1 ±0.12	3.4 ±0.6	5.25 ±0.1	3.72 ±0.13	3300	2800	3700	2900	4800
P1408	8.9 ±0.3	--	11.3 ±0.2	5.9 ±0.15	3.1 ±0.12	3.8 ±0.6	4.15 ±0.15	2.9 ±0.15	2350	2100	2600	2150	3300
P0903	7.2 ±0.2	9.15 ±0.5	7.62 ±0.13	3.8 ±0.1	2.05 ±0.05	1.9 ±0.5	2.65 ±0.1	1.88 ±0.5	1350	1200	--	1250	1750

